



Smart Tablet Coating from 10% to 100%
with one single machine

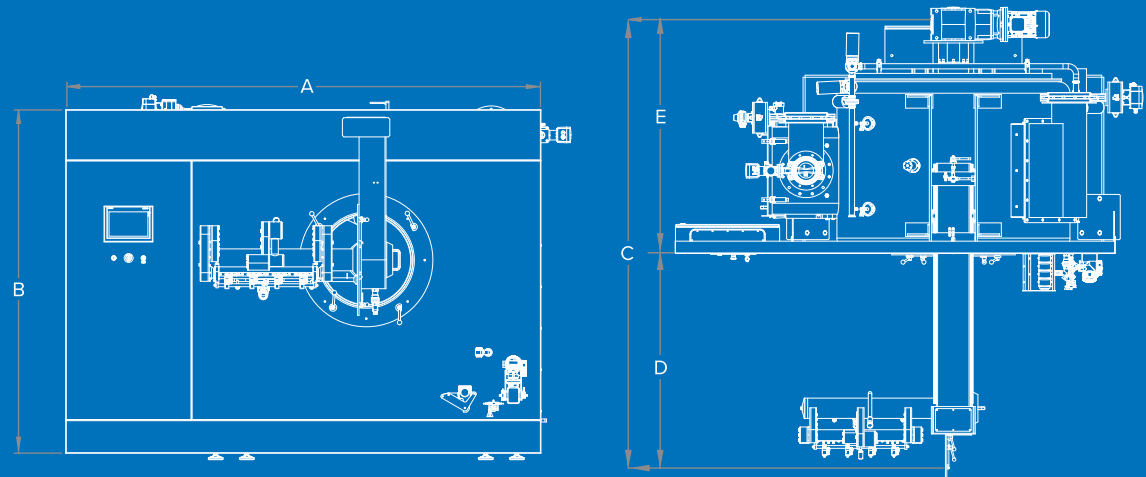
TP R OPTIMA TABLET COATER

Coating process technology



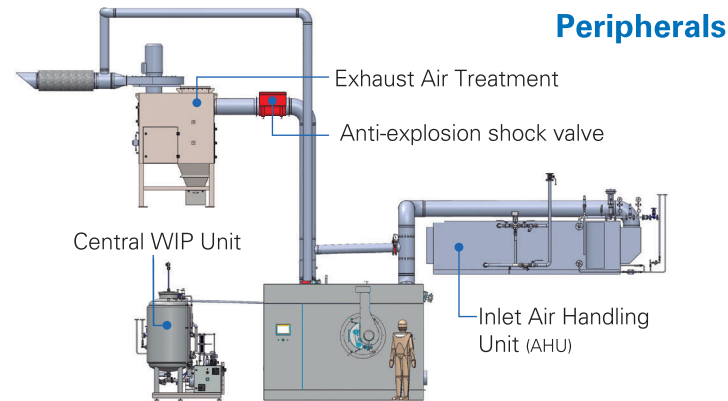
TABLET COATERS	CAPACITY		DIMENSIONS				
	Min.(L)	Max.(L)	A	B	C	D	E
Model							
TP R50_Optima	7,5	75	2.030	2.100	2.380	1.150	1.230
TP R100_Optima	15	150	3.210	2.254	2.838	1.300	1.538
TP R200_Optima	30	300	3.210	2.321	3.413	1.615	1.798
TP R300_Optima	45	450	3.510	2.542	3.975	1.845	2.130
TP R400_Optima	60	600	3.510	2.785	4.628	2.105	2.523
TP R500_Optima	75	750	3.840	3.050	5.390	2.400	2.990
TP R600_Optima	90	900	3.840	3.340	6.275	2.730	3.545

* Approximate data / Loading levels may change depending on tablet's shape and density



Optionals

- Automatic tablet unloading system
- Nozzle blockage detection system with automatic self-cleaning
- Desiccant wheel system for extra dehumidification
- Coating suspension preparation tank (configurable)
- Containment execution
- Automatic sampling group
- Central WIP unit
- Electropolish
- 21 CFR part 11
- ATEX rated.



Global Service

Our qualified Romaco Service is globally available for you.

Remote Connection as standard feature assist you as alternative to long-distance travel.



TRIMACO Systeme GmbH | Badenerstrasse 816 | CH-8048 Zürich
Tel: +41 43 811 75 00 | contact@trimaco.ch
www.trimaco.ch

Also in our portfolio

Romaco Tecpharm TP R Tablet Coater

TP R is a film coating machine based on perforated pan technology. In wall design to be integrated in the clean room to optimize the space for the operations.



Romaco Tecpharm OPTIMA Tablet Coater

Romaco Tecpharm, within its range of coating equipment has developed a technology named: **OPTIMA COATING SYSTEM**. The OPTIMA Tablet Coater is a film coating machine based on perforated pan technology. Its high technology allows an automatic adjustment control of the flow, avoiding the damp, saving coating and optimizing the process time. Innovative high quality equipments certified by accredited entities. Fully designed and built in Europe following regulatory requirements and GMP's normative.

Optima Tablet Coater

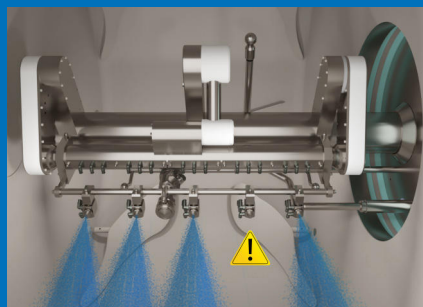
- **Increases the batch** size range from **10% to 100%**.
- Fully automatic parameter setting.
- All in the same drum.
- Automatic extension system arm in terms of distance and angle.
- Automatic adjustment by sonar depending on the level of charge.
- Path and air flow self-adjustable according to tablet's load for a perfect performance

Main Features

- In-Wall design concept.
- Built in AISI 316L, with surfaces in contact with the product mirror polished with roughness Ra <0.5.
- Intuitive HMI with Manual and Automatic modes.
- Detachable deflectors.
- Central transmission with direct coupling.
- Schlick® spray nozzles.
- All speed adjustments by frequency inverter.
- Remote connection as standard feature

Air Treatments

- INLET
- Prefiltration with stage G4 and F9
 - HEPA 13 absolute filtration
 - Dehumidification battery by cold water
 - Heating battery by steam
 - Drive fan adjustable by frequency inverter
 - Δ P monitoring during the process
- EXHAUST
- Primary stage filtration
 - HEPA 13 absolute filtration
 - Cleaning filters by blowing system
 - Anti-explosion panel and shock valve
 - A P monitoring during the process



Blocked nozzle detection alarm



Automatic adjustment by sonar



Automatic sampling group